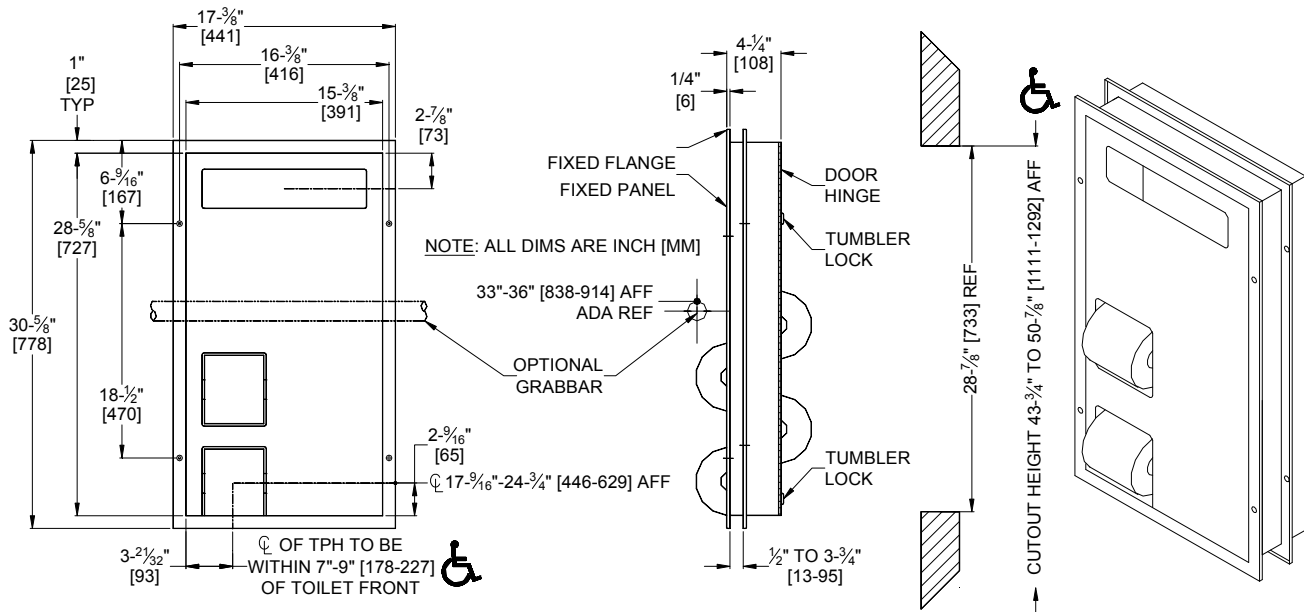


MODEL №: 0484-HC

ISSUED: 01-87

REVISED: 28 Aug 2012

PARTITION MOUNTED DUAL ACCESS SEAT COVER & TOILET PAPER DISPENSER



SPECIFICATION

Partition Mounted Dual Access Seat Cover and Toilet Paper Dispenser for Barrier Free Access shall hold and dispense 1000 standard single or half-fold paper toilet seat covers contained in supply box and four (4) standard or 1800 sheet 4-1/2" x 5-1/4" diameter (114 x Ø133) toilet paper rolls. Seat dispenser and toilet paper dispenser door shall be 18 gauge type 304 stainless steel alloy 18-8. Face frame and cabinet shall be 22 gauge. All exposed surfaces shall have satin finish protected during shipment with PVC plastic film easily removed after installation. Face trim mounting flanges shall be of one piece construction 1" (25) wide with no welded miters and shall have square 1/4" (6) returns with an adjustability range for partition thickness of 1/2" to 3-3/4" (13 to 95). Flange on HC panel side of unit shall be flush with face of unit to permit flush mounting behind grab bar. Access door shall be opposite HC stall. Seat cover dispensing slot shall have fully deburred flat edges for snag-free dispensing and user safety. Internal baffles shall prevent line of sight view from either side through unit at any time. Cabinet door shall be attached to face frame with a full-length, heavy-duty 3/16" diameter (Ø5) stainless steel multi-staked piano hinge and shall be held closed with two (2) tumbler locks keyed alike to other ASI washroom equipment. Cabinet shall include theft and vandal resistant rollers that shall be of molded high-impact resistant plastic with integral molded-in stainless steel endpins and four (4) rollers [p/n R-004] shall be supplied. Structural assembly of cabinet and door components shall be of welded construction and shall have no exposed fasteners.

INSTALLATION

Mount unit in partition using № 10 x 3/4" (M5x19) Philips oval head self-tapping screws (supplied). Holes in flanges are offset to prevent screw interference. For compliance with ICC/ANSI A-117.1-2003 and 2010 ADA Accessibility Standards top of cutout should be between 43-3/4" and 50-7/8" (1111 to 1292) AFF. One trim-mounting flange adjusts for partition thickness of 1/2" to 3-3/4" (13 to 95). To comply with CalDAG mounting height, top of cutout should 42-7/8" (1089) AFF maximum. Note partition cutout is 7/8" (22) below top of face trim. If optional grab bar is used (not supplied) it is positioned across unit with top of grip surface at 33" (838) AFF minimum.

Partition Cut Out required is 15-1/2" W x 28-7/8" H x 1/2" to 3-3/4" thick partition (394 x 733 x 13 to 95)

OPERATION

Seat covers are self-feeding until supply is depleted. Toilet paper rolls feed freely until depleted and level of supply is constantly visible for low-level warning. Locked door prevents unauthorized removal. Toilet paper rolls and paper seat covers are serviced by unlocking and opening door opposite HC stall on schedule determined by maintenance requirements. Toilet paper spindles are carried in vandal resistant sub-frame accessible when door is opened. Barrier baffle panels preserve privacy between stalls at all times.