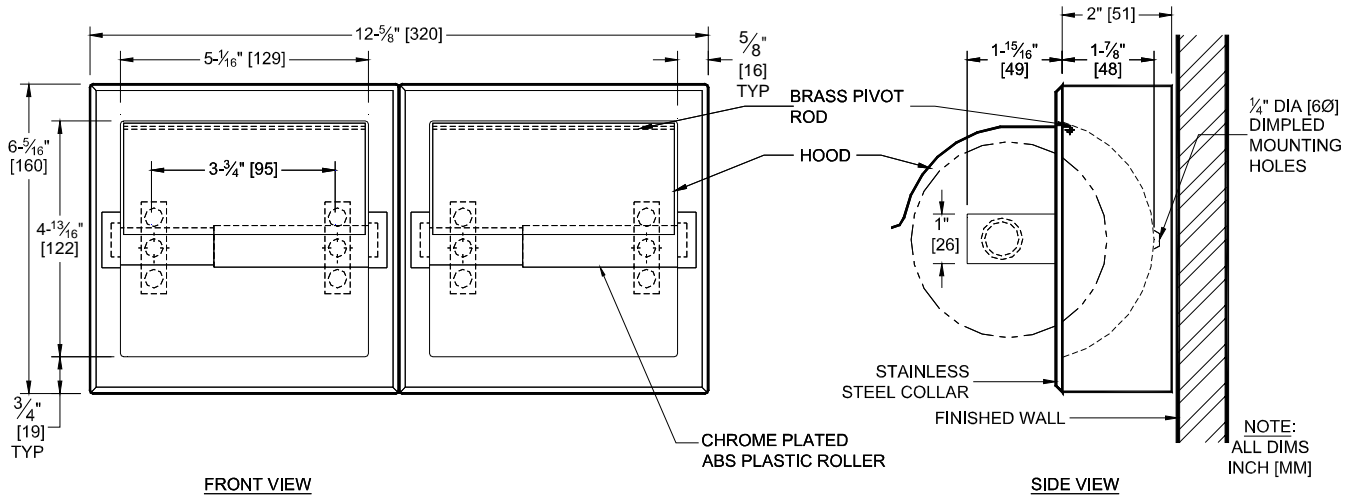


SURFACE MOUNTED DUAL ROLL TOILET PAPER HOLDER WITH HOOD



SPECIFICATION

Surface Mounted Dual Roll Toilet Paper Holder with Hood shall hold and dispense all standard core roll tissue up to 6" diameter (Ø152) roll and shall be fabricated of stainless steel type 304 alloy 18-8. Each outer shell shall have two (2) dimpled holes for dry wall installation. Hoods shall be attached to top of unit with full-length brass pivot rods. Rollers shall be chrome plated high impact resistant ABS plastic and shall be spring-loaded. All exposed surfaces shall be satin or bright finish as chosen by option and indicated by code suffix.

INSTALLATION

For Standard Dry Wall Mounting: Locate unit and transfer hole positions to wall. Drill four (4) 7/32" diameter (Ø5.6) clearance holes through tile and/or wallboard only. Use four (4) N^o 10 stainless steel Philips flat or oval head self-tapping or wood screws (by others) of suitable length to penetrate blocking in wall by approximately 1/2" (13). Tighten screws to hold unit tight against finished wall face.

Optional Method for Dry Wall Mounting: Locate unit and transfer hole positions to wall. Drill four (4) holes appropriate for expansion anchors into masonry substrate. Tap proper expansion anchors (provided by others to suit wall conditions) into wall to be flush with wall face. Use four (4) stainless steel Philips flat or oval head N^o 10AB self-tapping screws (provided by others to suit wall conditions) through dimpled holes at back of shell. Tighten screws to hold unit tight against finished wall face.

For compliance with ADA Accessibility Guidelines install unit with centerline of roller 19" (483) min AFF to 42" (1067) max AFF and 7" (178) min to 9" (229) max from front of commode to centerline of dispenser.

OPTIONS

Optional finish must be specified as either Bright or Satin. Specify finish by adding code suffixes to model number (i.e. 74022-HBSM or 74022-HSSM).

Option	B		S	
Specifies	Bright Finish		Satin Finish	