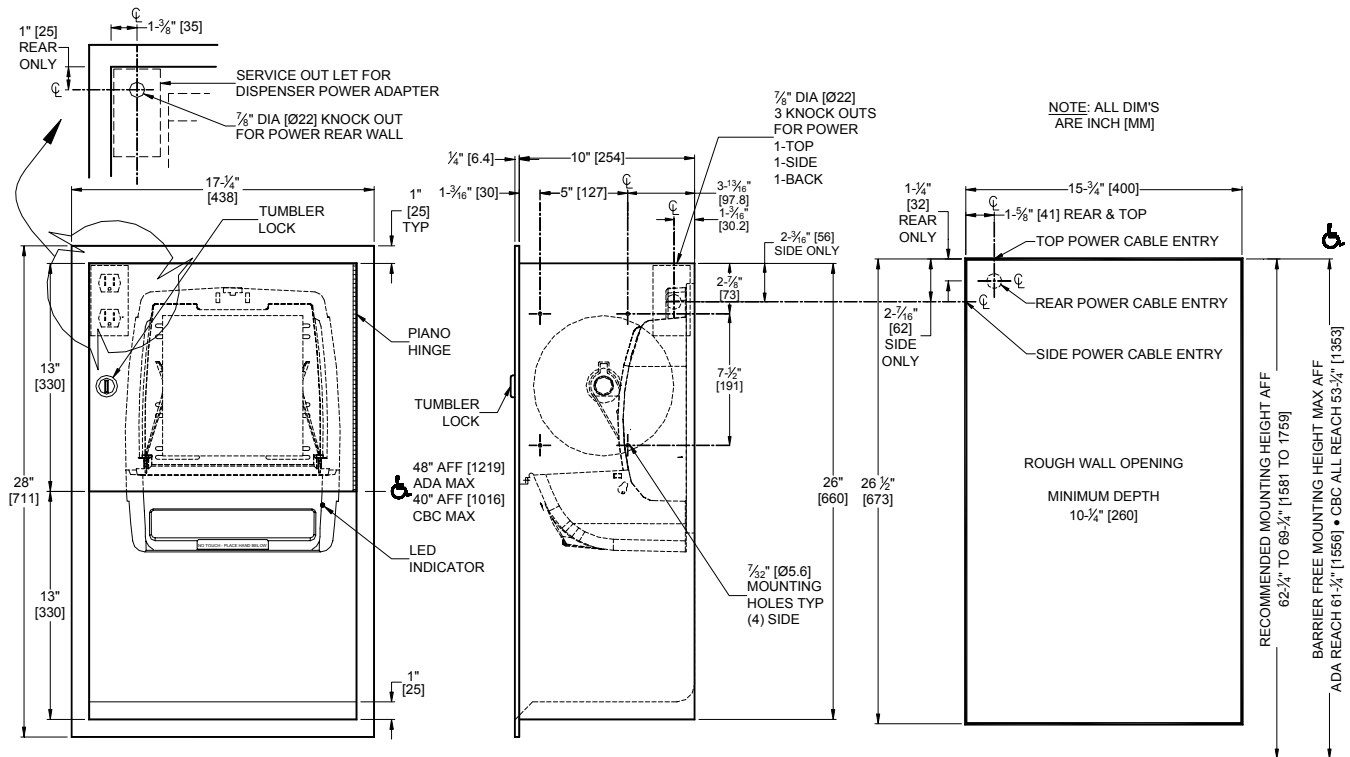


MODEL №: 045210AC

ISSUED: 10/09

REVISED: 09/10

RECESSED AUTOMATIC ROLL PAPER TOWEL DISPENSER



SPECIFICATION

Recessed Automatic Roll Paper Towel Dispenser shall hold and dispense one 8" wide x 8" diameter (203 x Ø203) standard towel roll up to 800 ft. (244m) long and one 8" wide (203) stub roll up to 4" diameter (Ø102). Automatic Touchless Roll Towel Dispenser shall be powered by C-UL-US and CE approved internal low-voltage adapter (supplied) using 110-240VAC, 50/60 Hz and providing output of 5VDC @ 1A and shall operate automatically to activate towel dispensing when hands are placed in sensor zone. Unit shall feed out a length of towel during each activation selected by owner by setting length, delay and paper saver switches. Unit shall have an internal towel cut-off bar. Cabinet and frame shall be fabricated of 22 gauge type 304 stainless steel alloy 18-8, and towel dispenser door shall be 18 gauge same grade. All exposed surfaces shall have satin finish protected by PVC plastic film easily removed after installation. Door shall be attached to cabinet at side with a full-length 3/16" diameter (Ø 4.8) stainless steel multi-staked piano hinge and shall have a full return and hemmed bottom edge for user safety. Door shall be held closed with a tumbler lock keyed alike to other ASI washroom equipment. Face trim shall be 1" (25.4) wide formed from one piece with no miters, welding or open seams and have four (4) 1/4" (6.4) square returns to wall. Structural assembly of all components shall be of welded construction. Cabinet shall have no exposed fastening devices or spot-welded seams.

INSTALLATION

Unit is mounted in wall recess using № 10 self-tapping screws (by others) through concealed mounting holes provided. Note that top of RWO is 3/4" (19) below top of unit. For compliance with ADA Accessibility Guidelines, install unit so that bottom edge of towel dispenser door is 48" (1219) maximum above finished floor (MAX AFF). Power is supplied by code approved cable or conduit (by others) to RWO at any one of three [3] available locations indicated on diagram and terminated in utility simplex outlet box (provided) inside cabinet. Power required is 110-240VAC at 50/60 Hz protected by a 15A circuit breaker (by others) for low voltage adapter that draws 1/4 Amp. Power adapter for dispenser unit is supplied cabled and plugged into dispenser and is plugged into simplex outlet (by others). Sensor ground wire must be connected inside cabinet.

Rough Wall Opening (RWO) required is 15-3/4" W x 26-1/2" H x 10-1/4" D (400 x 673 x 260)

OPERATION

Towels are dispensed one length at a time automatically when hands are placed in sensor zone until supply is depleted. Length of towel dispensed is predetermined by owner by making selections on three (3) three-position switches for length, delay, economy. Unit may be reloaded with a full roll to automatically start when finished with an existing partial roll. LED indicates sensing and operation. Locking door prevents unauthorized access and roll removal.