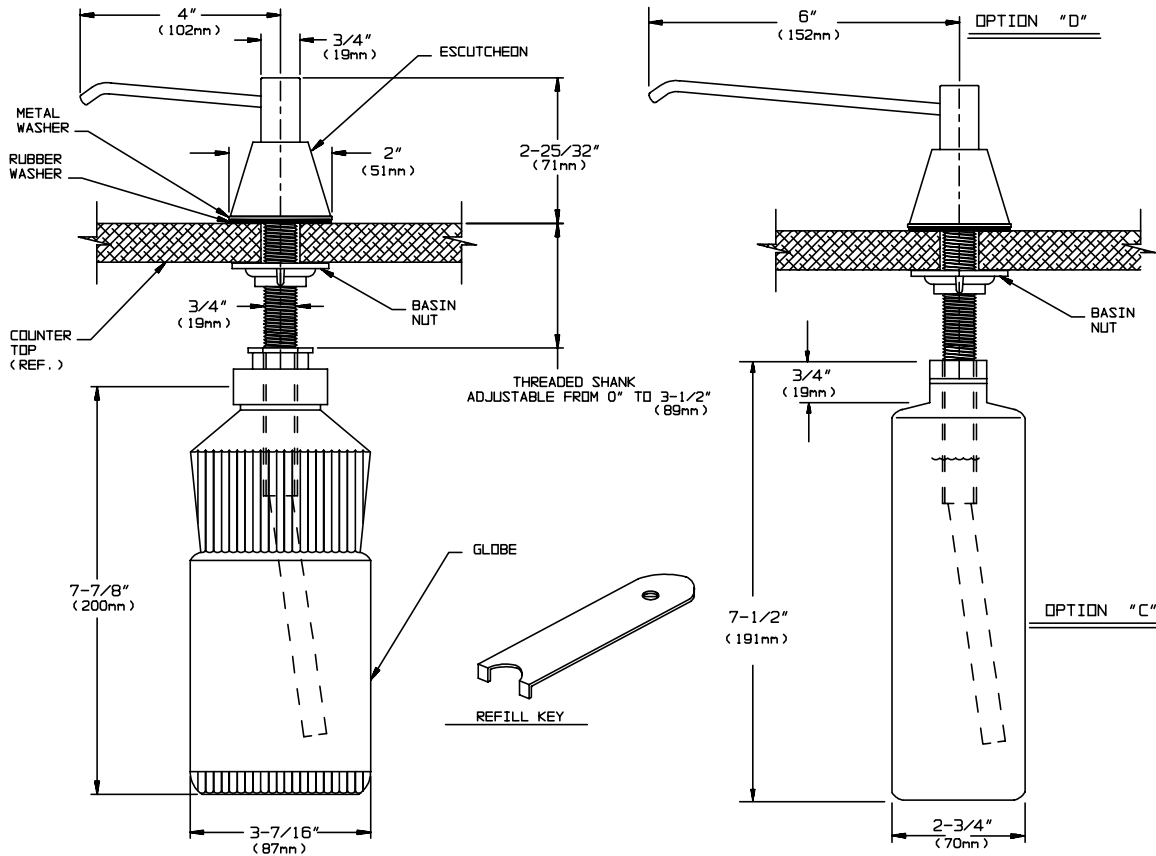


MODEL No: 0332

ISSUED: 1-87

REVISED: 8-04

LAVATORY MOUNTED SOAP DISPENSER



**SPECIFICATION**

Lavatory Mounted Soap Dispenser shall dispense 34 oz. (1.0 liter) of liquid and lotion soaps, synthetic detergents and antibacterial soaps containing PCMX and/or Triclosan. Dispenser stem and 4" spout shall be stainless steel with rubber "duck bill" check valves and an O-ring seal. Valve body, internal parts, basin nut, threaded shank and globe adapter shall be molded plastic. Spring, escutcheon washer, stem retainer collar and screw shall be stainless steel. Escutcheon shall be chrome plated brass. Soap container shall be translucent, shatter-resistant polyethylene. Vandal-resistant spout shall rotate 360° without damage to unit. Valve operation shall comply with ADA Accessibility Guidelines by requiring no more than 5lbsf (22.2 Newtons) of pressure to actuate without grasping or twisting by operator.

**INSTALLATION**

Unit is typically located adjacent to a flush mounted lavatory, through 7/8" (22mm) dia. cut out (by others) in counter top. An adjustable threaded shank allows for installation in counter tops up to 3-1/2" (89mm) thick.

**OPERATION**

Soap is manually dispensed by pushing down on the spout stem. Dispenser is refilled by using the special refill key to unlock the escutcheon and remove the valve body with dip tube from the shank to expose reservoir opening.

**OPTIONS**

Spout option may be combined with globe option. Specify option by adding suffix to Model N° (e.g. 0332-CD64).

SUFFIX	DESCRIPTION
C	20oz. (592ml) polyethylene globe
D	6" (152mm) long spout
64	1" (25mm) height spacer