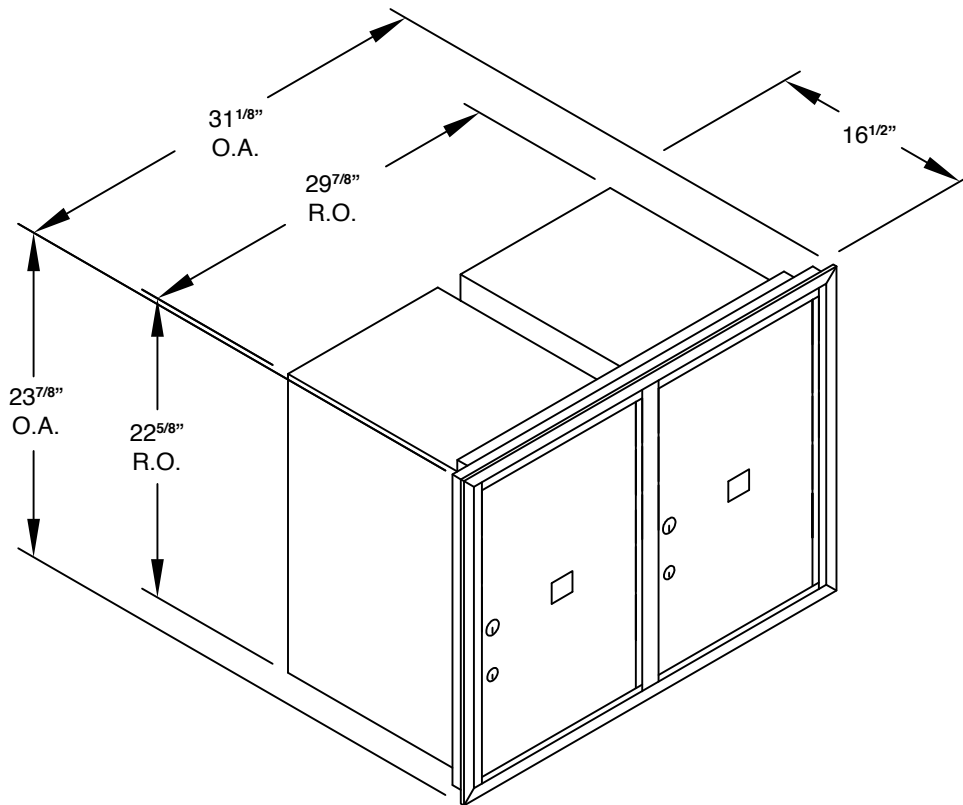


- (1) 3706D-2P - FRONT LOADING
- (2) PL6 PARCEL LOCKERS (20 $\frac{3}{4}"$ H)



- (1) 3706D-2P - REAR LOADING
- (2) PL6 PARCEL LOCKERS (20 $\frac{3}{4}"$ H)