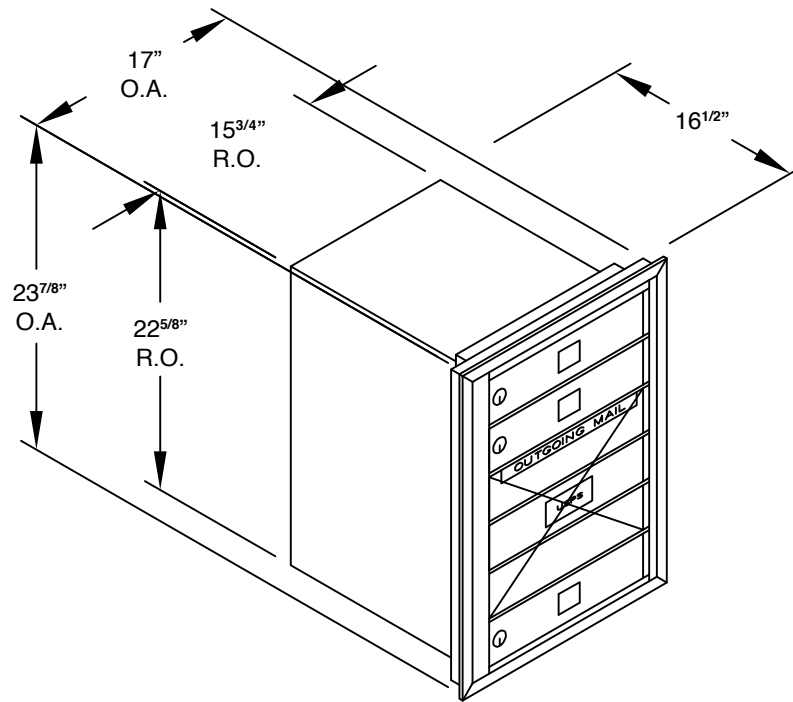


- (1) 3706S-03 - FRONT LOADING
- (3) 'MB1' DOORS
- (1) 'OM3' OUTGOING MAIL COMPARTMENT



(1) 3706S-03 - REAR LOADING

(3) 'MB1' DOORS

(1) 'OM3' OUTGOING MAIL COMPARTMENT