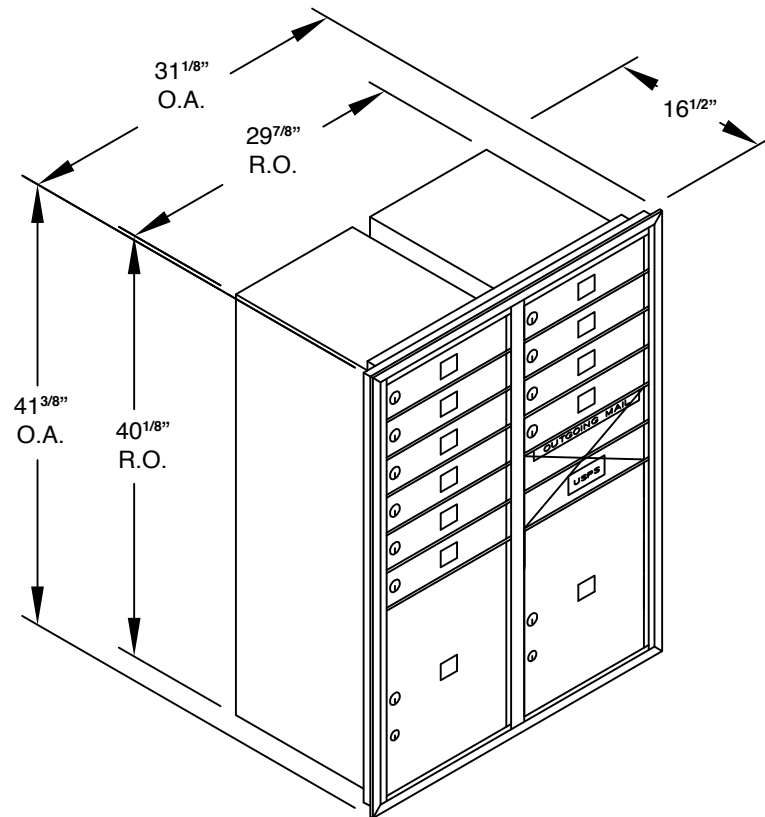


- (1) 3711D-10 – FRONT LOADING
- (10) 'MB1' DOORS
- (1) 'OM2' OUTGOING MAIL COMPARTMENT
- (2) PL5 PARCEL LOCKERS (17 1/4" H)



- (1) 3711D-10 - REAR LOADING
- (10) 'MB1' DOORS
- (1) 'OM2' OUTGOING MAIL COMPARTMENT
- (2) PL5 PARCEL LOCKERS (17  $\frac{1}{4}''$  H)