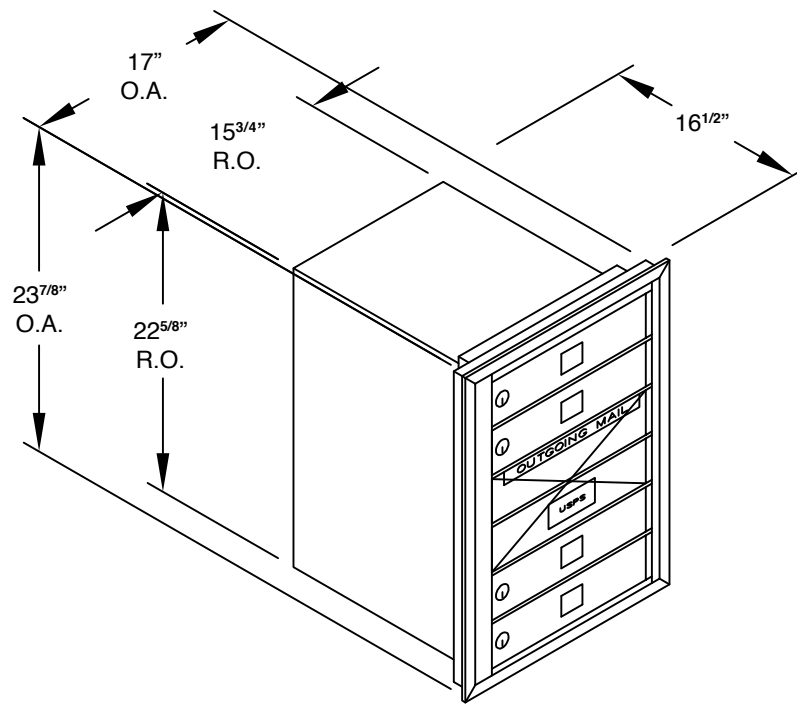


(1) 3706S-04 - FRONT LOADING

(4) 'MB1' DOORS

(1) 'OM2' OUTGOING MAIL COMPARTMENT



- (1) 3706S-04 - REAR LOADING
- (4) 'MB1' DOORS
- (1) 'OM2' OUTGOING MAIL COMPARTMENT