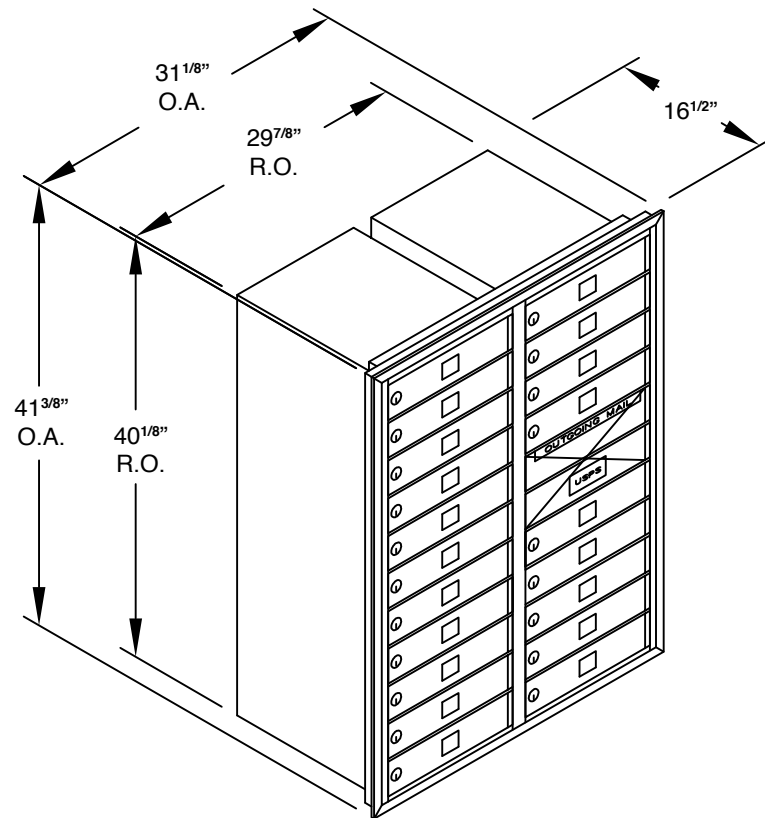


- (1) 3711D-20 – FRONT LOADING
- (20) 'MB1' DOORS
- (1) 'OM2' OUTGOING MAIL COMPARTMENT



- (1) 3711D-20 - REAR LOADING
- (20) 'MB1' DOORS
- (1) 'OM2' OUTGOING MAIL COMPARTMENT