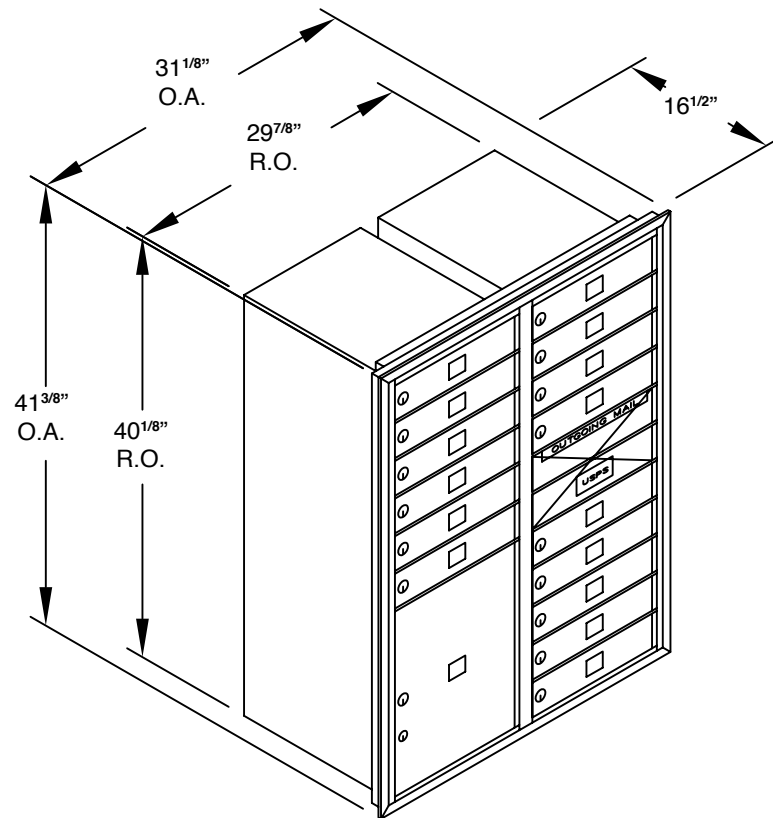


- (1) 3711D-15 – FRONT LOADING
- (15) 'MB1' DOORS
- (1) 'OM2' OUTGOING MAIL COMPARTMENT
- (1) PL5 PARCEL LOCKER (17 1/4" H)



(1) 3711D-15 - REAR LOADING

(15) 'MB1' DOORS

(1) 'OM2' OUTGOING MAIL COMPARTMENT

(1) PL5 PARCEL LOCKER (17 $\frac{1}{4}''$ H)