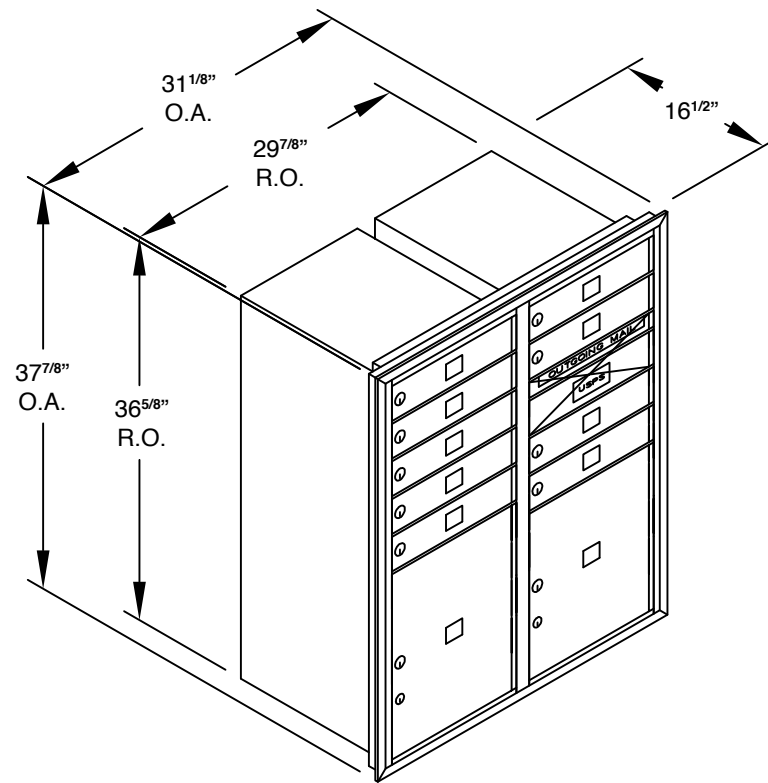


- (1) 3710D-09 - FRONT LOADING
- (9) 'MB1' DOORS
- (1) 'OM1.5' OUTGOING MAIL COMPARTMENT
- (1) PL4.5 PARCEL LOCKER (15  $\frac{1}{2}''$  H)
- (1) PL5 PARCEL LOCKER (17  $\frac{1}{4}''$  H)



- (1) 3710D-09 -- REAR LOADING
- (9) 'MB1' DOORS
- (1) 'OM1.5' OUTGOING MAIL COMPARTMENT
- (1) PL4.5 PARCEL LOCKER (15  $\frac{1}{2}''$  H)
- (1) PL5 PARCEL LOCKER (17  $\frac{1}{4}''$  H)