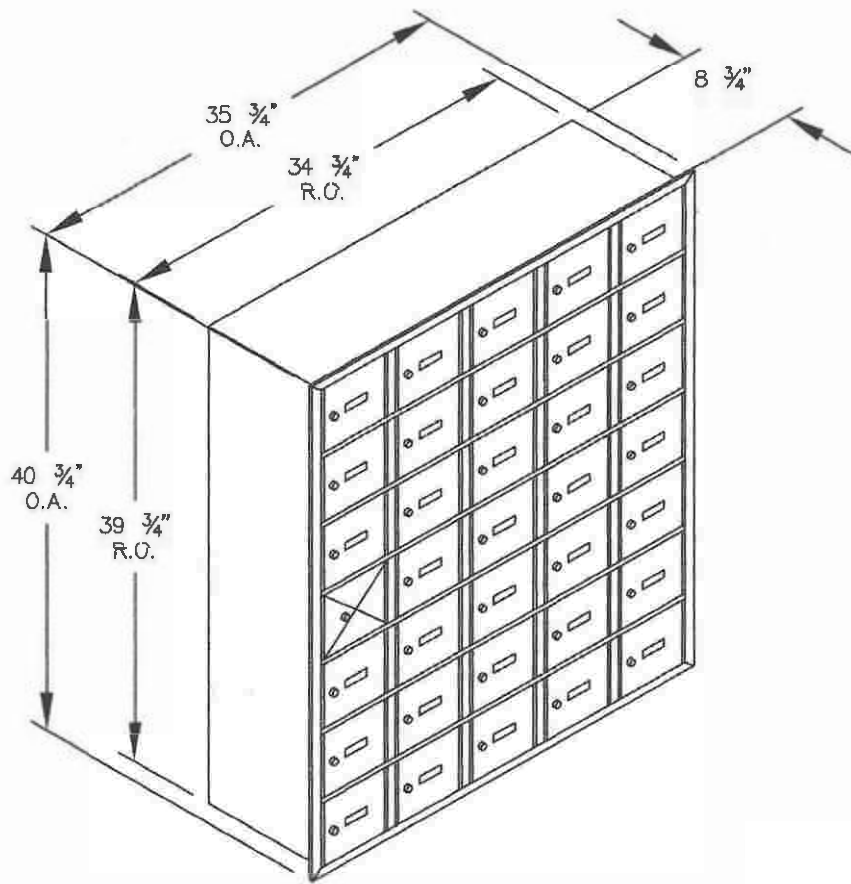


Surface Mounted, 7H x 5W Configuration (35A/34A Utilized for Storage)



Recessed Mount