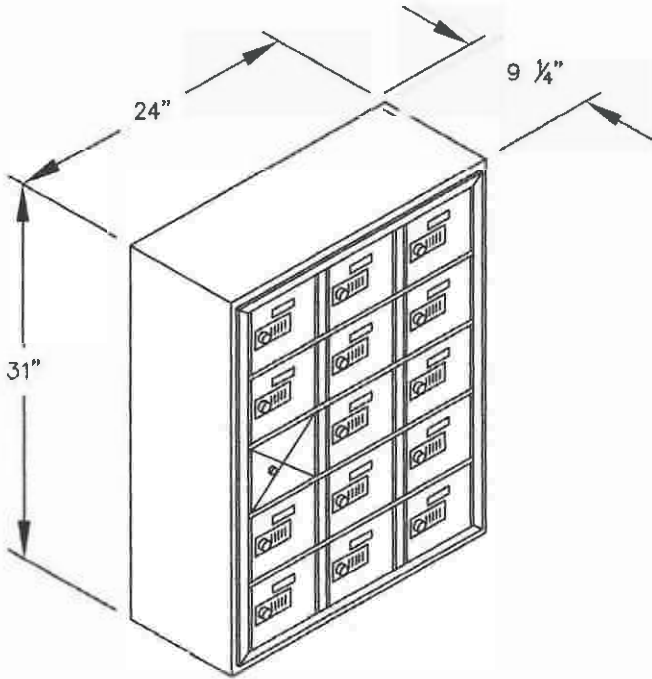
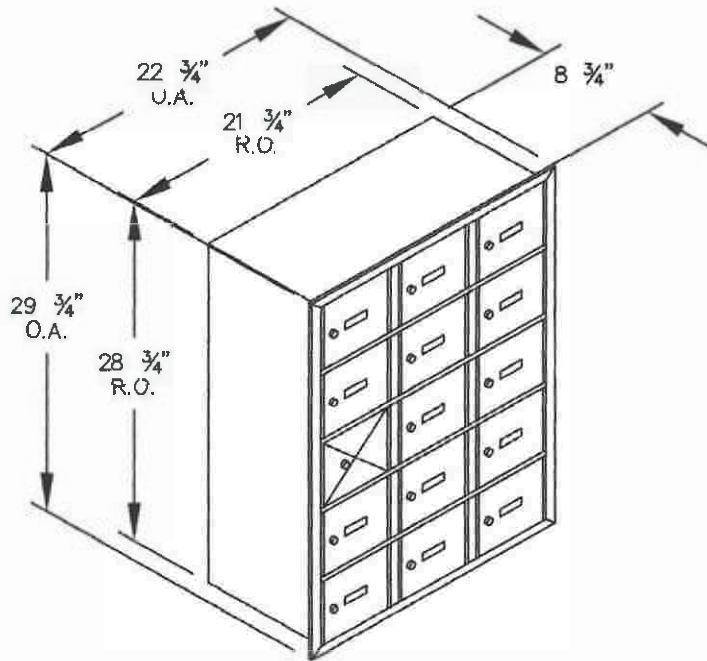


SKU #MX1915815



Surface Mounted, 5H x 3W Configuration (15A / 14A Utilized for Storage)

SKU #MX1915515



Recessed Mounted, 5H x 3W Configuration (15A / 14A Utilized for Storage)