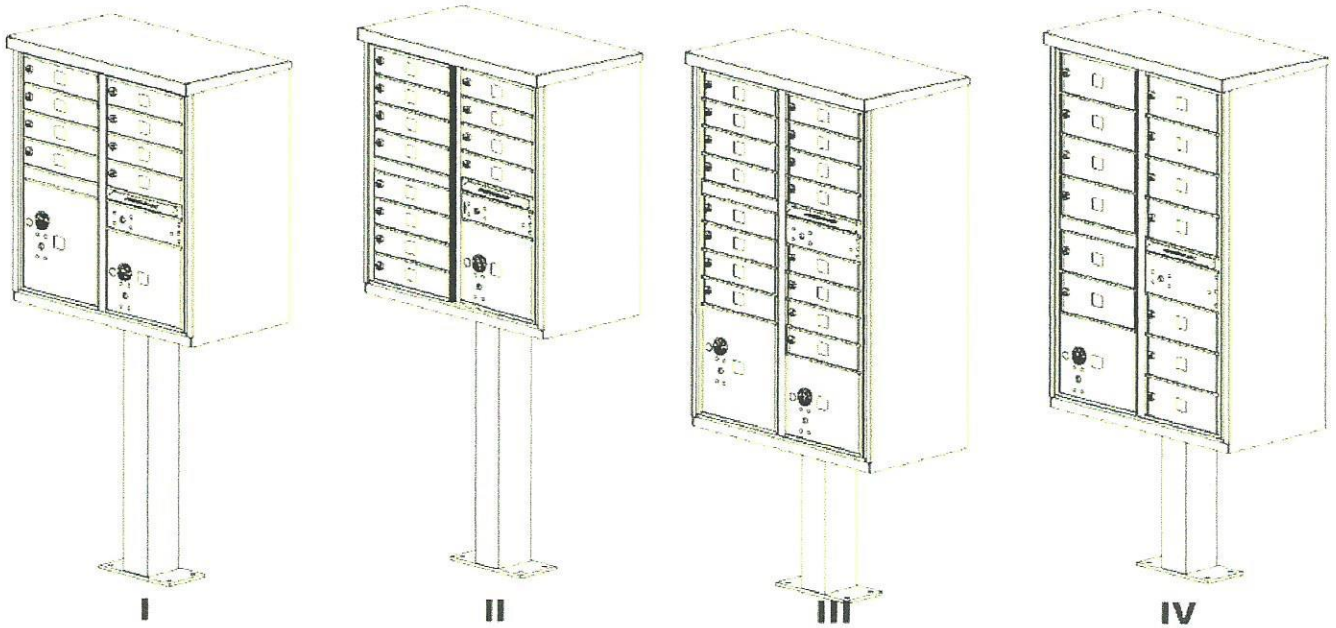


# CLUSTER BOX UNITS (CBU's) INSTALLATION MANUAL "F" SPECIFICATIONS

<b>TYPE</b>	<b>I</b>	<b>II</b>	<b>III</b>	<b>IV</b>
<b>MODEL</b>	<b>3308</b>	<b>3312</b>	<b>3316</b>	<b>3313</b>

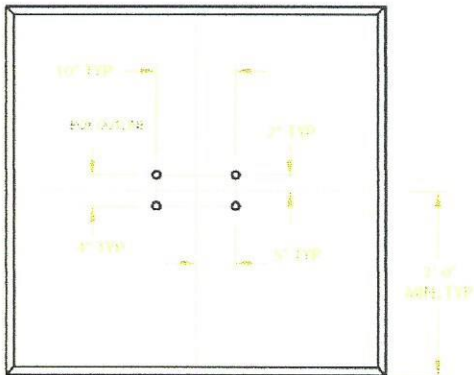
## TABLE OF CONTENTS

DESCRIPTION	PAGE
CBU INFORMATION	2
SITE PREPARATION AND PEDESTAL INSTALLATION	3
SECURITY TOOL REQUIREMENTS	4
INSTALLATION OF AN ARROW LOCK	5
PARCEL ARROW LOCK INSTALLATION	7
PEDESTAL TO CBU INSTALLATION	9



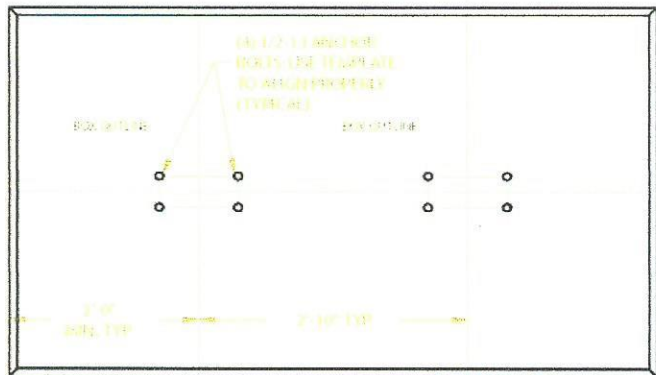
	<b>TYPE I</b>	<b>TYPE II</b>	<b>TYPE III</b>	<b>TYPE IV</b>
<b>QTY OF STANDARD COMPARTMENTS</b>	8	12	16	13
<b>QTY OF PARCEL COMPARTMENTS</b>	2	1	2	1
<b>PARCEL COMPARTMENT HEIGHT</b>	10", 13"	10"	10", 13"	10"

**SINGLE UNIT**



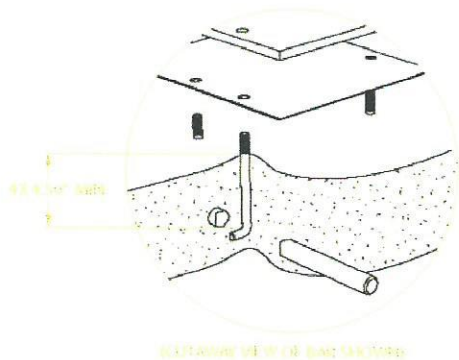
CHANGING ALL DIMENSIONS  
EMPLOYERS ARE ASKED TO PLAN  
WITH APPROVED SURFACES ON  
PROVIDED AS.

**MULTI-UNITS**

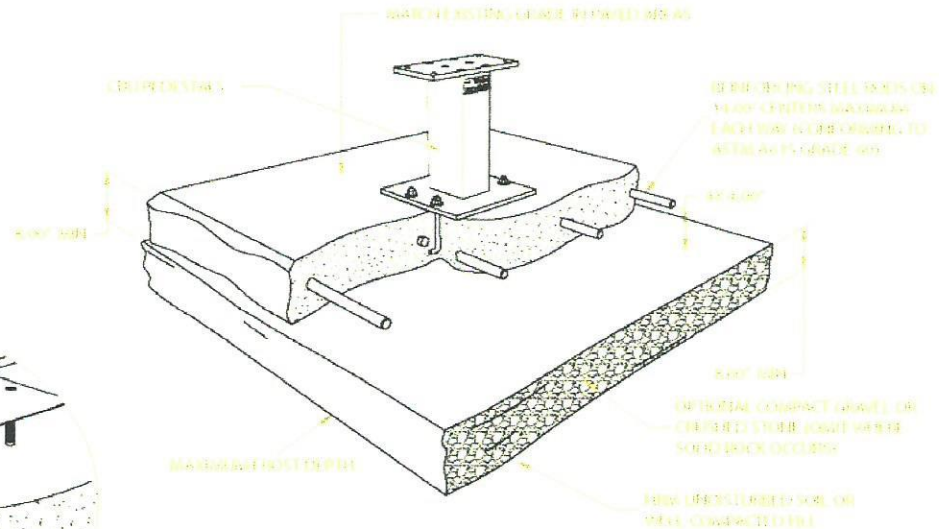


REMARK: VERTICAL ANCHOR BOLTS SET AS  
RECOMMENDED NOT EXCEED 14\"/>

NOTE:  
CONCRETE TO BE LAID OVER A  
SLOPED SAND SUBGRADE OF  
SLOPE OF 1:10 (MIN. COEFFICIENT  
OF FRICTION - 0.3) SHALL BE  
CONCRETE AND  
PLACED WITH A 1:10 - 4:10  
SLOPE IN ACCORDANCE TO  
(1)



VERTICAL ANCHOR BOLTS SET AS



CONCRETE

REMARK: VERTICAL ANCHOR BOLTS SET AS

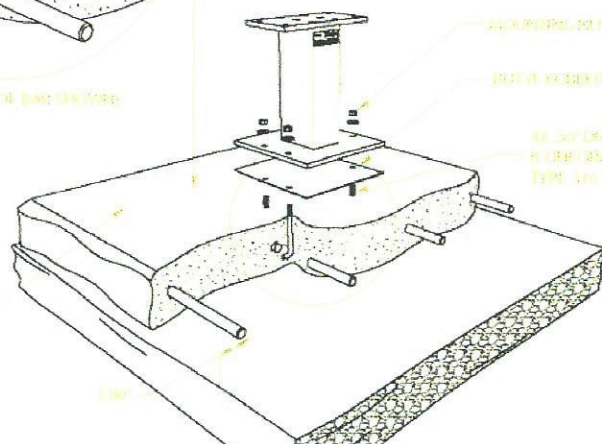
REMARK: VERTICAL ANCHOR BOLTS SET AS  
RECOMMENDED NOT EXCEED 14\"/>

REMARK: VERTICAL ANCHOR BOLTS SET AS

REMARK: VERTICAL ANCHOR BOLTS SET AS  
RECOMMENDED NOT EXCEED 14\"/>

REMARK: VERTICAL ANCHOR BOLTS SET AS  
RECOMMENDED NOT EXCEED 14\"/>

REMARK: VERTICAL ANCHOR BOLTS SET AS  
RECOMMENDED NOT EXCEED 14\"/>



REMARK: VERTICAL ANCHOR BOLTS SET AS  
RECOMMENDED NOT EXCEED 14\"/>

REMARK: VERTICAL ANCHOR BOLTS SET AS  
RECOMMENDED NOT EXCEED 14\"/>

REMARK: VERTICAL ANCHOR BOLTS SET AS  
RECOMMENDED NOT EXCEED 14\"/>

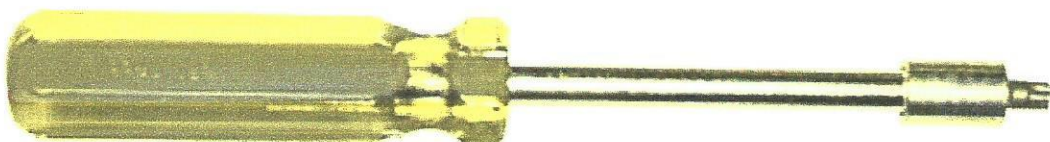
# **IMPORTANT NOTICE FOR USPS INSTALLERS**

## **CBU TYPES I, II, III, AND IV**

*INSTALLER MUST ORDER McGARD SCREW DRIVER  
(USPS – MAIL EQUIPMENT SHOP PART NUMBER 110050)  
TO INSTALL AND SERVICE THE PARCEL ARROW LOCK COVER*

*IF THE*  
**McGARD SCREW DRIVER MES NO. 110050**  
*NEEDS TO BE ORDERED*  
*IT MAY BE ORDERED BY FAXING AN “OFF CATALOG” eBUY REQUEST TO:*

***USPS MAIL EQUIPMENT SHOP***  
***FAX NO. (202) 281-2643***

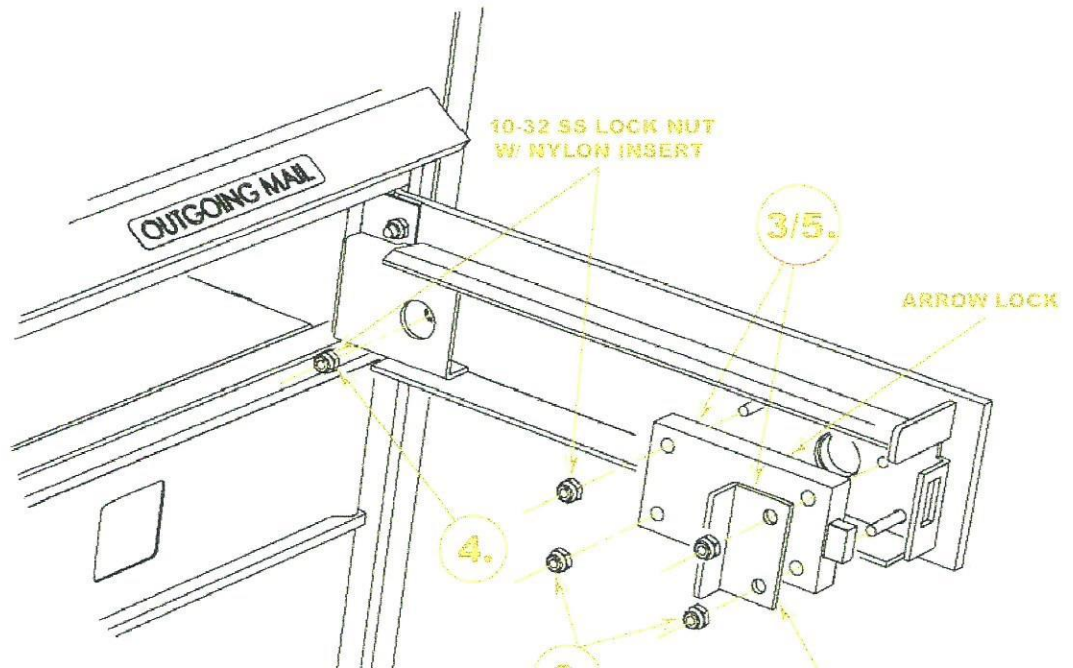
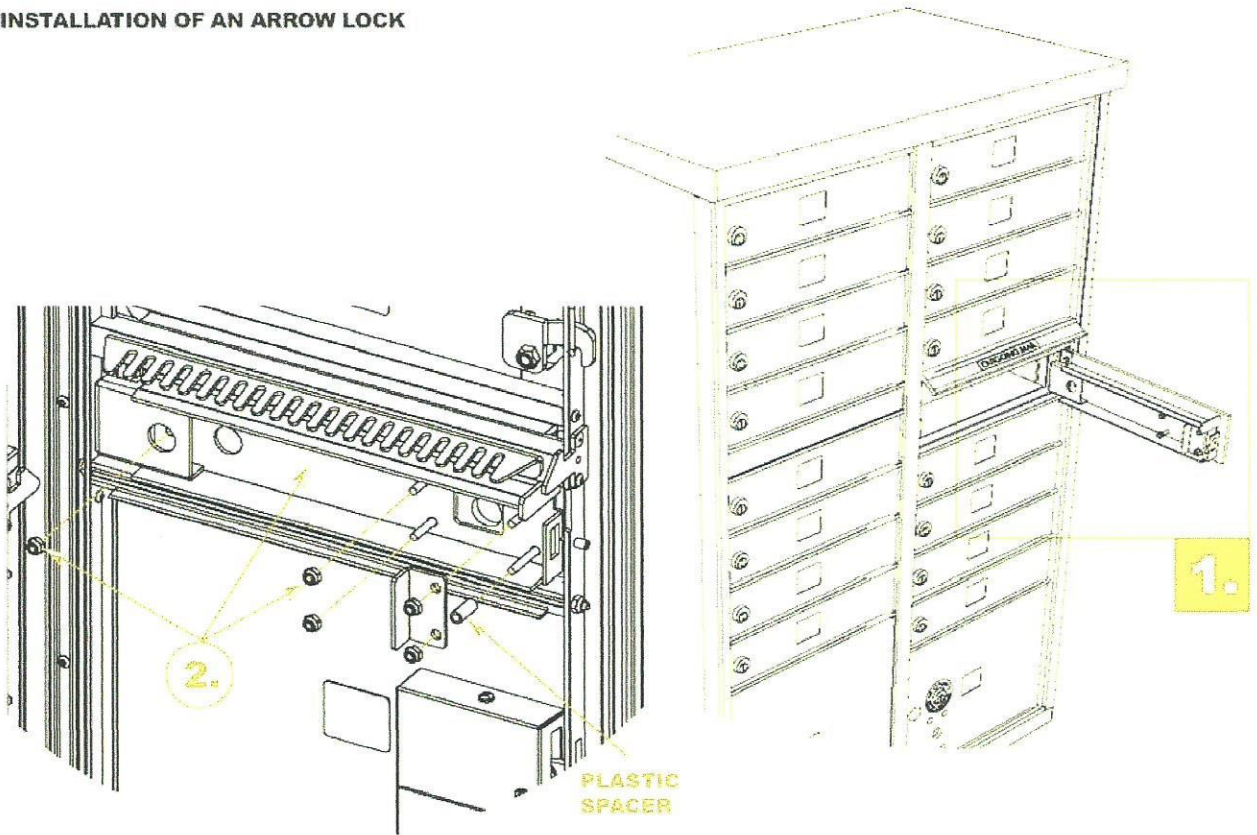


## INSTALLATION OF AN ARROW LOCK CBU TYPES I, II, III, AND IV

- 1.** OPEN ARROW LOCK DOOR.
  
- 2.** REMOVE FIVE (5) 10-32 STAINLESS STEEL LOCK NUTS W/ NYLON INSERT, AS WELL AS 1055372 LOCK SUPPORT PLATE (DISPOSE OF PLASTIC SHIPPING SPACER).
  
- 3.** PLACE ARROW LOCK INTO 1055290 ARROW LOCK SECURITY BRACKET AND POSITION ON DOOR.
  
- 4.** REPLACE ONE (1) 86091 10-32 STAINLESS STEEL LOCK NUT W/ NYLON INSERT IN THE REAR POSITION TO SECURE ARROW LOCK SECURITY BRACKET.
  
- 5.** INSTALL 1055372 LOCK SUPPORT PLATE AS SHOWN
  
- 6.** REPLACE FOUR (4) 10-32 STAINLESS STEEL LOCK NUTS W/NYLON INSERT. TORQUE 25 TO 30 INCH-POUNDS.

REQUIRED TOOLS	PART #	DESCRIPTION
3/8" SOCKET WRENCH		10-32 STAINLESS STEEL LOCK NUT W/ NYLON INSERT
	1055372	LOCK SUPPORT PLATE
		ARROW LOCK
	1055290	ARROW LOCK SECURITY BRACKET

**INSTALLATION OF AN ARROW LOCK**



## PARCEL ARROW LOCK INSTALLATION

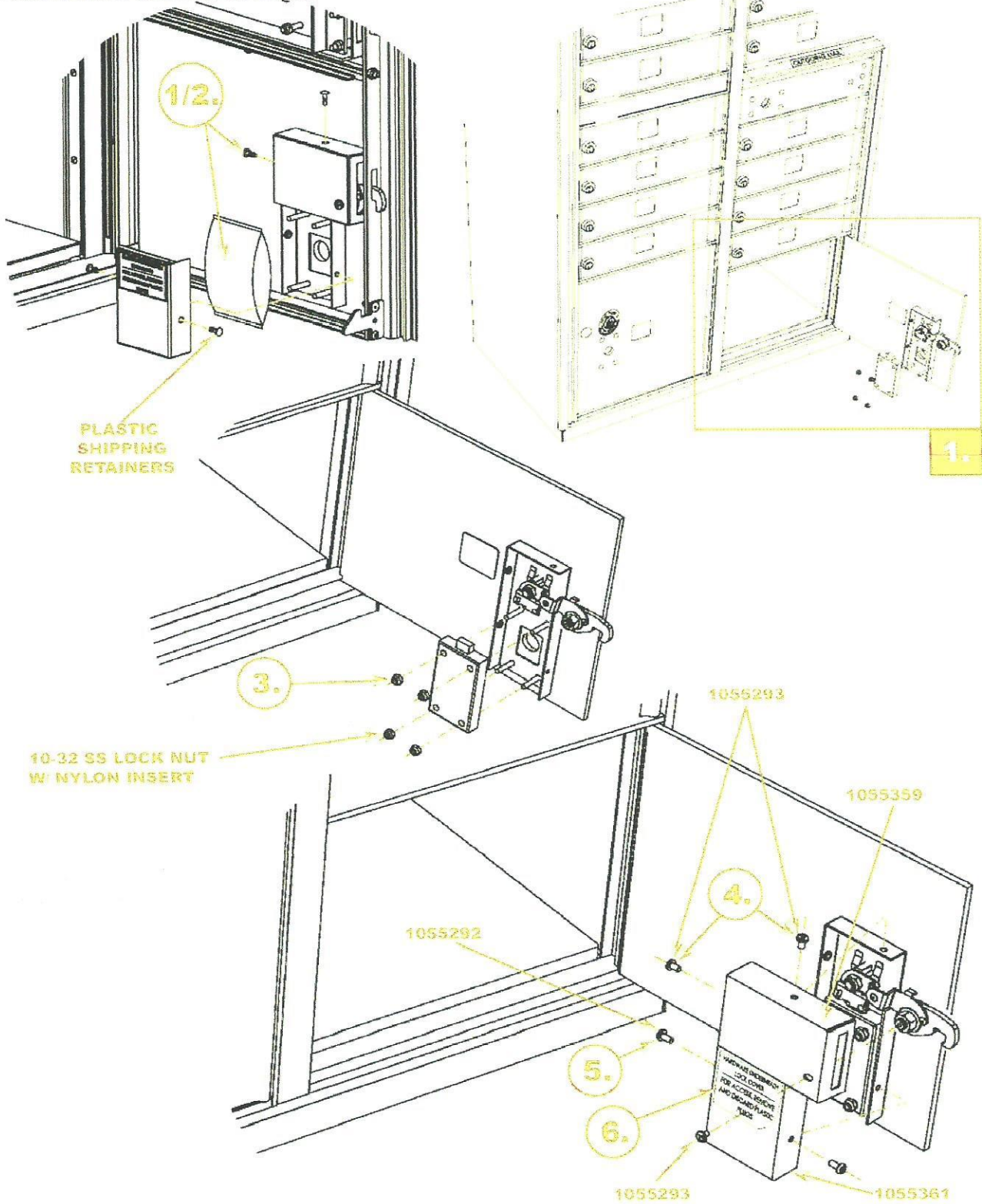
### CBU TYPES I, II, III AND IV

- 1.** OPEN PARCEL DOOR, REMOVE AND DISCARD FOUR (4) PLASTIC SHIPPING RETAINERS (TWO ON LATCHING ASSEMBLY COVER AND TWO ON ARROW LOCK COVER).
- 2.** REMOVE PLASTIC BAG OF FASTENERS (IT CONTAINS ALL FASTENERS NECESSARY TO INSTALL POSTAL LOCK ON ONE PARCEL DOOR).
- 3.** INSTALL ARROW LOCK AS SHOWN AND SECURE WITH FOUR (4) 10-32 STAINLESS STEEL LOCK NUTS W/ NYLON INSERT. TORQUE 25 TO 30 INCH-POUNDS.
- 4.** INSTALL 1055359 LATCHING ASSEMBLY COVER USING THREE (3) 1055293 10-32 X .375 UNF-2A 18-8 SS PASSIVATED 1-WAY TAMPER PROOF FASTENERS.
- 5.** INSTALL 1055361 ARROW LOCK COVER USING TWO (2) 1055292 10-32 X .312 UNF-2A 18-8 SS PASSIVATED MCGARD FASTENERS.
- 6.** REMOVE LABEL FROM COVER.

REQUIRED TOOLS
FLAT SCREWDRIVER
USPS PROPRIETARY MCGARD TOOL
3 8" SOCKET WRENCH
PLIERS

PART #	DESCRIPTION
1055292	10-32 X .312 UNF-2A 18-8 SS PASSIVATED MCGARD
1055293	10-32 X .375 UNF-2A 18-8 SS PASSIVATED 1-WAY TAMPER PROOF
	10-32 STAINLESS STEEL LOCK NUT W/ NYLON INSERT
1055359	LATCHING ASSEMBLY COVER
1055361	ARROW LOCK COVER
	ARROW LOCK

**PARCEL ARROW LOCK INSTALLATION**





## PEDESTAL TO CBU INSTALLATION CBU TYPES I, II, III AND IV

- 1.** OPEN MASTER LOADING DOORS.
  
- 2.** REMOVE LEFT AND RIGHT SIDE 1055344 FLOATING SHELVES, EXPOSING MOUNTING HOLES.
  
- 3.** PLACE UNIT ON PEDESTAL.
  
- 4.** FROM UNDERNEATH UNIT, INSERT FOUR (4) 3/8-16 X 1.25 STAINLESS STEEL CARRIAGE BOLTS UPWARD.
  
- 5.** FROM INSIDE LOWEST COMPARTMENTS, ADD FOUR (4) 3/8" X .688 OD STAINLESS STEEL LOCK WASHERS AND TIGHTEN FOUR (4) 3/8-16 STAINLESS STEEL PASSIVATED HEX NUTS. TORQUE TO 22 FOOT-POUNDS.
  
- 6.** REPLACE LEFT AND RIGHT SIDE 1055344 FLOATING SHELVES.

REQUIRED TOOLS		PART #	DESCRIPTION
9/16" SOCKET WRENCH			3/8-16 STAINLESS STEEL PASSIVATED HEX NUT
			3/8-16 X 1.25 STAINLESS STEEL CARRIAGE BOLT
		1055344	FLOATING SHELF
			PEDESTAL FOR TYPE I, II
		1055280	PEDESTAL FOR TYPE III, IV
			3/8" X .688 OD STAINLESS STEEL LOCK WASHER

**PEDESTAL TO CBU INSTALLATION**

