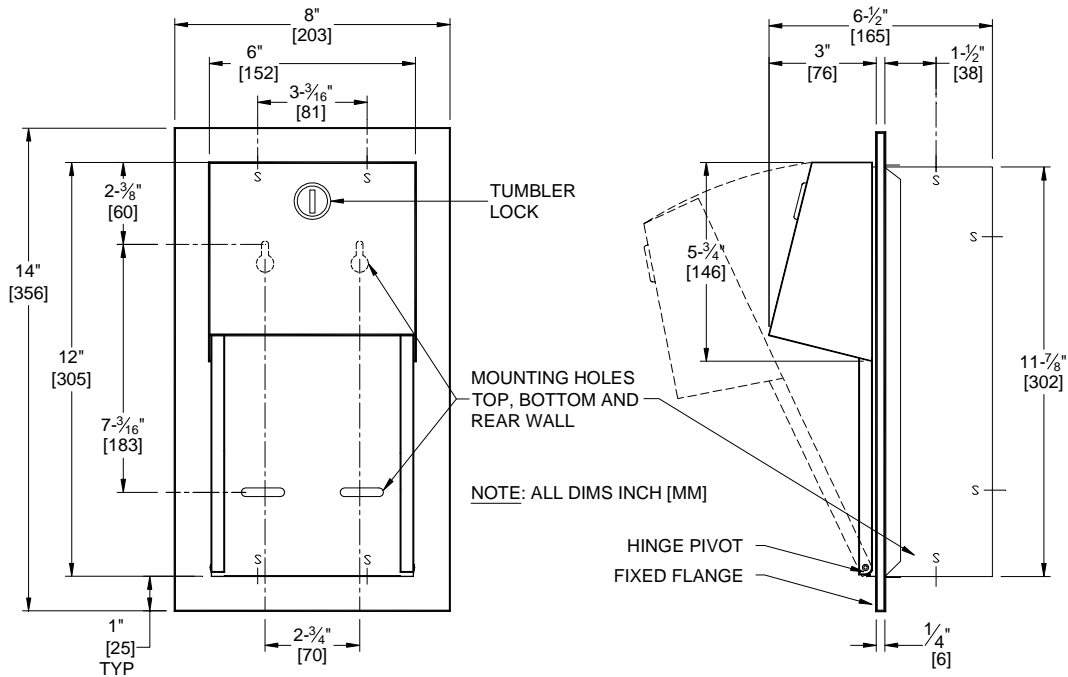


MODEL No: 0031

ISSUED: 01-87

REVISED: 02-08

## SEMI-RECESSED TWIN HIDE-A-ROLL TOILET PAPER DISPENSER



### **SPECIFICATION**

Semi-Recessed Mounted Twin Hide-A-Roll Toilet Paper Dispenser shall hold and dispense two (2) standard or two (2) 5-1/4" diameter (Ø133) 1800 sheet tissue rolls and have door, door frame, and dispensing mechanism guide tracks fabricated of 18 gauge type 304 stainless steel alloy 18-8. Cabinet body shall be 22 gauge same grade. All exposed surfaces shall be N<sup>o</sup> 4 satin finish and be protected during shipment with PVC film easily removable after installation. Internal mechanism levers shall be fabricated of molded high-impact resistant plastic for smooth operation. Structural assembly of body and door components shall be of welded construction. Door hinge shall be of heavy-duty stainless steel 3/16" diameter (Ø4.8) rivets. Door shall be held closed with a tumbler lock keyed alike to other ASI washroom equipment. Cabinet shall include theft and vandal resistant rollers that shall be of molded high-impact resistant plastic with integral molded-in plated steel endpins and two (2) rollers [p/n R-004] shall be supplied.

### **INSTALLATION**

Unit is recessed mounted in wall using four (4) N<sup>o</sup> 10 self-tapping screws (by others). Top two mounting holes through back are "keyhole" slots for ease in hanging unit on pre-installed screws. Bottom two mounting holes are horizontal slots for ease of adjustment. Alternate mounting holes are provided in top and bottom of unit for installation convenience. For compliance with ADA Accessibility Guidelines install top of unit 29" (737) above finished floor.

**Rough Wall Opening (RWO) required is 6-1/4" W x 12-1/4" H x 3-3/8" D (159 x 311x 86)**

### **OPERATION**

Reloading instructions are printed on graphic label inside door. Bottom roll is depleted prior to top roll automatically dropping into lower position for use. Empty rollers cannot be removed without key unlocking door.