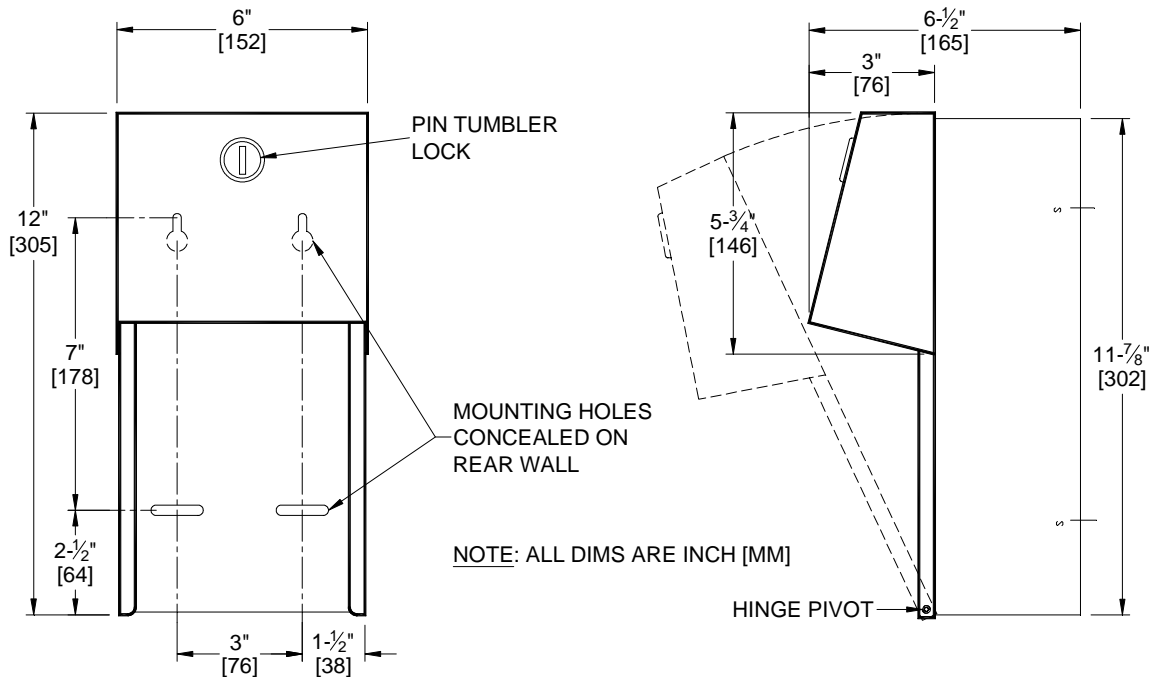


MODEL No:	0030
ISSUED:	01-87
REVISED:	01-08

SURFACE MOUNTED TWIN HIDE-A-ROLL TOILET TISSUE DISPENSER



SPECIFICATION

Surface Mounted Twin Hide-A-Roll Toilet Tissue Dispenser shall hold and dispense two (2) standard or two (2) 5-1/4" diameter (Ø133) 1800 sheets tissue rolls and shall have door, door frame, and dispensing mechanism fabricated of alloy 18-8 stainless steel, type 304, 18 gauge; cabinet body shall be same grade, 22 gauge. All exposed surface shall be N^o 4 satin finish and be protected during shipment with a PVC film easily removable after installation. Internal mechanism levers shall be fabricated of molded high-impact resistant plastic for smooth operation. Structural assembly of body and door components shall be of welded construction. Door hinge shall be of heavy-duty stainless steel 3/16" diameter (Ø4.8). Door shall be held closed with a tumbler lock keyed alike to other ASI washroom equipment. Cabinet shall include theft resistant and vandal resistant rollers that shall be of molded high-impact resistant plastic with integral molded-in stainless steel end pins and two (2) rollers [p/n R-004] shall be supplied.

INSTALLATION

Unit is surface mounted on wall or partition using four (4) N^o10 self-tapping screws (by others). Top two mounting holes through back are "keyhole" slots for ease in hanging unit on pre-installed screws. Bottom two mounting holes are horizontal slots for ease of adjustment. For compliance with ADA Accessibility Guidelines, top of unit should be installed 29" (737 mm) above finished floor.

OPERATION

Reloading instructions are printed on graphic label inside door. Bottom roll is depleted prior to top roll automatically dropping into lower position for use. Empty rollers can not be removed without key unlocking door.