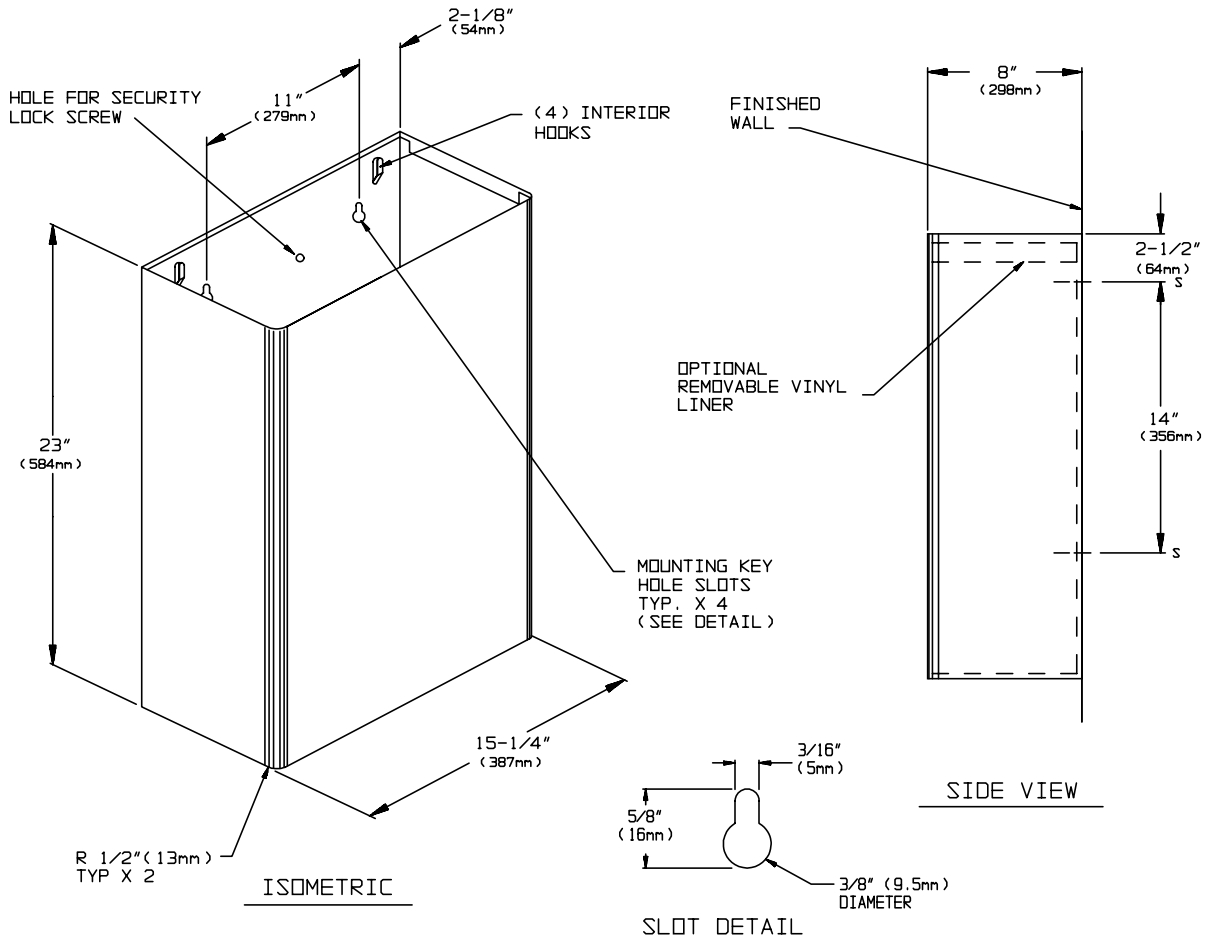


MODEL No: 0826

ISSUED: 1-87

REVISED: 6-06

SURFACE MOUNTED WASTE RECEPTACLE



SPECIFICATION

Surface Mounted Waste Receptacle shall hold 12 gallons (45.4 liters) of waste material. Unit shall be fabricated of 22 gauge alloy 18-8 stainless steel, type 304 with N^o 4 satin finish and be protected during shipment with PVC film easily removable after installation. Receptacle shall have no exposed fastening devices or spot-welded seams and shall have front outer vertical edges rounded to 1/2" (13mm) radius. Receptacle shall have four (4) interior hooks for hanging a reusable heavy gauge vinyl liner bag with grommets (supplied with unit; to order replacements specify model 58-PY). Receptacle shall be screw mounted to wall through keyhole slots on back of unit and shall be theft resistant after installation of concealed locking screw.

INSTALLATION

For general utility mount the receptacle 16" (406mm) above finished floor (AFF) from bottom of unit. Hang unit on wall on pre-installed four (4) screws (by others) through the mounting keyhole slots. Install and fasten theft-resistant screw (by others) to wall through middle top hole of receptacle.

OPERATION

User deposits waste material. Maintenance schedule determines trash removal cycle. Unit is emptied by removing either disposable bag (supplied by others) or reusable liner bag (one supplied) to empty into appropriate bulk collection container. Liner bag is washable and reusable and replacements are available should they be required (specify 58-PY)