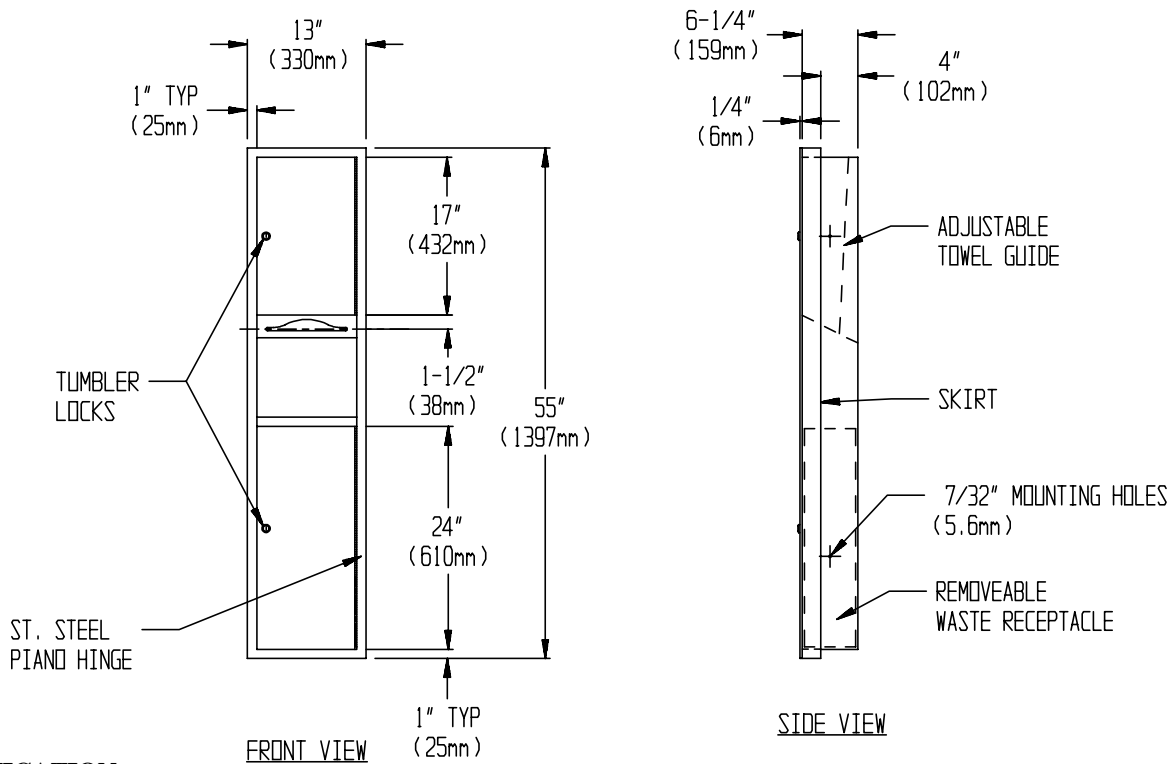


MODEL No: **0467-2**

ISSUED: 1-87

REVISED: 9-04

SEMI-RECESSED PAPER TOWEL DISPENSER AND DISPOSAL



SPECIFICATION

Semi-Recessed Paper Towel Dispenser and Disposal Unit shall hold and dispense 800 standard multi-fold or 600 standard C-fold or 1100 standard single fold paper towels and shall have a waste capacity of 7 gal. (26 liters). Towel dispenser, door, frame, waste container and cabinet shall be fabricated of alloy 18-8 stainless steel, type 304, 22 gauge; all exposed surfaces shall have N°4 satin finish. Towel dispensing slot shall have a fully hemmed-in rolled edge for snag-free dispensing and user safety. Adjustable guide shall be provided to allow dispensing of multi-fold or C-fold paper towels. Doors shall be fabricated in double-pan construction with fiberboard filler and shall be attached to cabinet at side with a full length 3/16" dia. stainless steel multi-staked piano hinge and be held closed with tumbler locks keyed alike to other ASI washroom equipment. Waste container shall have hemmed edges for safety. Face trim shall be 1" (25mm) wide formed from one piece with no mitres, welding or open seams and have 1/4" (6mm) square return to wall. Structural assembly of all components shall be of welded construction. Unit shall be supplied with SR collar to convert to semi-recessed mounting.

INSTALLATION

Unit is semi-recessed in wall recess using N° 10 self tapping screws (by others) through concealed mounting holes provided. For compliance with ADA Accessibility Guidelines, unit should be installed so that towel dispenser slot is 54" (1372mm) maximum above finished floor (AFF) if clear floor side reach access is provided or 48" (1219mm) maximum AFF if clear floor forward reach access only is provided. Note that top of RWO is 3/4" (19mm) below top of unit. SR collar is installed on cabinet prior to mounting in wall recess following procedure described on SR Collar Data Sheet.

Rough Wall Opening (RWO) required is..... 11-1/2"W x 53-1/2"H x 4"D minimum (292mm x 1359mm x 102mm)

OPERATION

Towels are self-feeding until supply is depleted. Unit may be reloaded with a partial load in-place and will continue to feed properly. Waste container is emptied manually on cycle determined by maintenance needs. Locked compartment prevents unauthorized access.