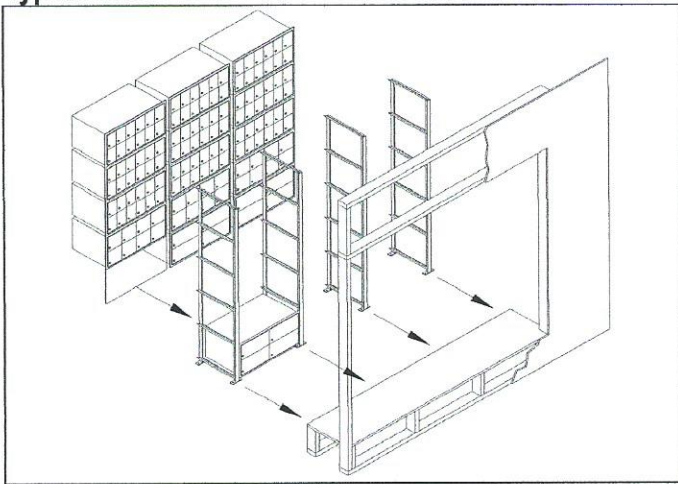
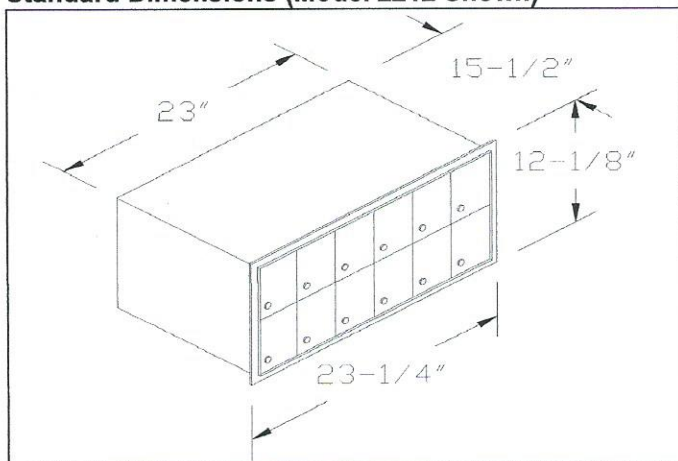


## Rack Ladder Horizontal Mailbox Installation instructions

### Typical Installation



### Standard Dimensions (Model 2212 Shown)



### Notes

1. Wall opening and lumber frame must be square.
2. Mailboxes should be shielded from direct weather conditions.
3. Store keys in a safe place until ready for use.
4. Hardware is not included to fasten unit into rough opening.

### Aluminum Mailbox Instructions

1. These mailboxes are to be stacked in rack ladders secured to a platform incorporated into the wall. Allowing 25-3/8" for the width of the first mailbox column and 23-7/8" for each additional column (also add for any amount of desired space on each side of the installation), frame out the perimeter of the wall and secure to the floor.

2. A platform 10"H x 16"D and wide enough to support the total number of columns, should be constructed for the base of the installation and joined with the wall frame.

3. Allowing a 61-5/8"H opening from the platform, frame out the installation opening allowing enough room to position rack ladders 23-7/8" on center. Rack ladders should extend over the front edge 1/2" or 3/8", depending on the thickness of the drywall to be used. Lag bolt the bottom and top of the rack ladder to the wall. See the illustration on the next page. The front of the rack ladder should be flush with the drywall surface.

4. Add additional studs where needed and finish the wall with drywall.

5. Install the modules on the rack ladder assemblies from the back. Starting at the bottom, slide the module into the rack ladder support angles until it is tight with the front of the rack ladder. Repeat this procedure until the column is completed and proceed to the bottom of the next column until all modules are installed.

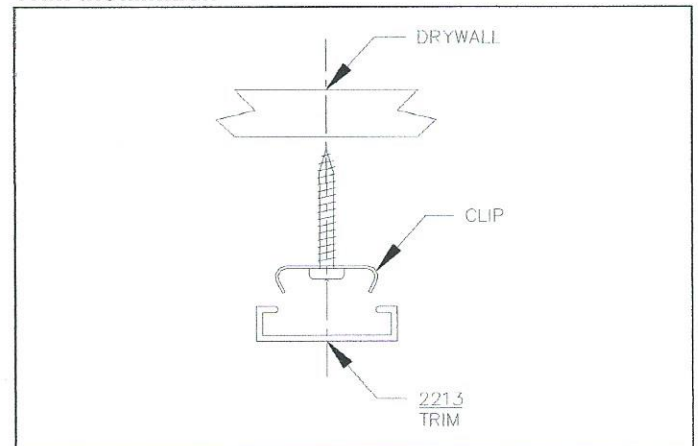
6. Secure the modules to the rack ladders from the rear with the cover strips. Slide the strips over the threaded studs and fasten with provided hex nuts. This clamps the modules into the rack ladders and completes the installation if there is no rear cover option.

7. The purchase and installation of the trim for the front of the modules is optional. There is enough trim in each kit for three (3) mailbox columns. Fasten the clips to the wall using 1" wood screws around the perimeter of the boxes. See the illustration on the next page. The trim should be long enough to properly frame the installation and the corners should be mitered at a 45° angle.

### Rack Ladder Horizontal Mailboxes Installation Instructions

8. The purchase and installation of the rear covers is optional. The rear cover option includes a hinged cover attached to a lockable cover strip on the hinge side (for an adjacent cover) and a lockable cover strip (without cover) for a single mailbox column or the end of a row of mailboxes. See the illustration on this page. The lockable rear cover and the lockable cover strip are installed instead of the non-lockable cover strips that come with the rack ladders. They are installed over the threaded studs on the rear of the rack ladders and the provided hex nuts are installed on each threaded stud. This also clamps the modules into the rack ladders and completes the installation.

#### Trim Installation



#### Rack Ladder and Rear Cover Installation

